

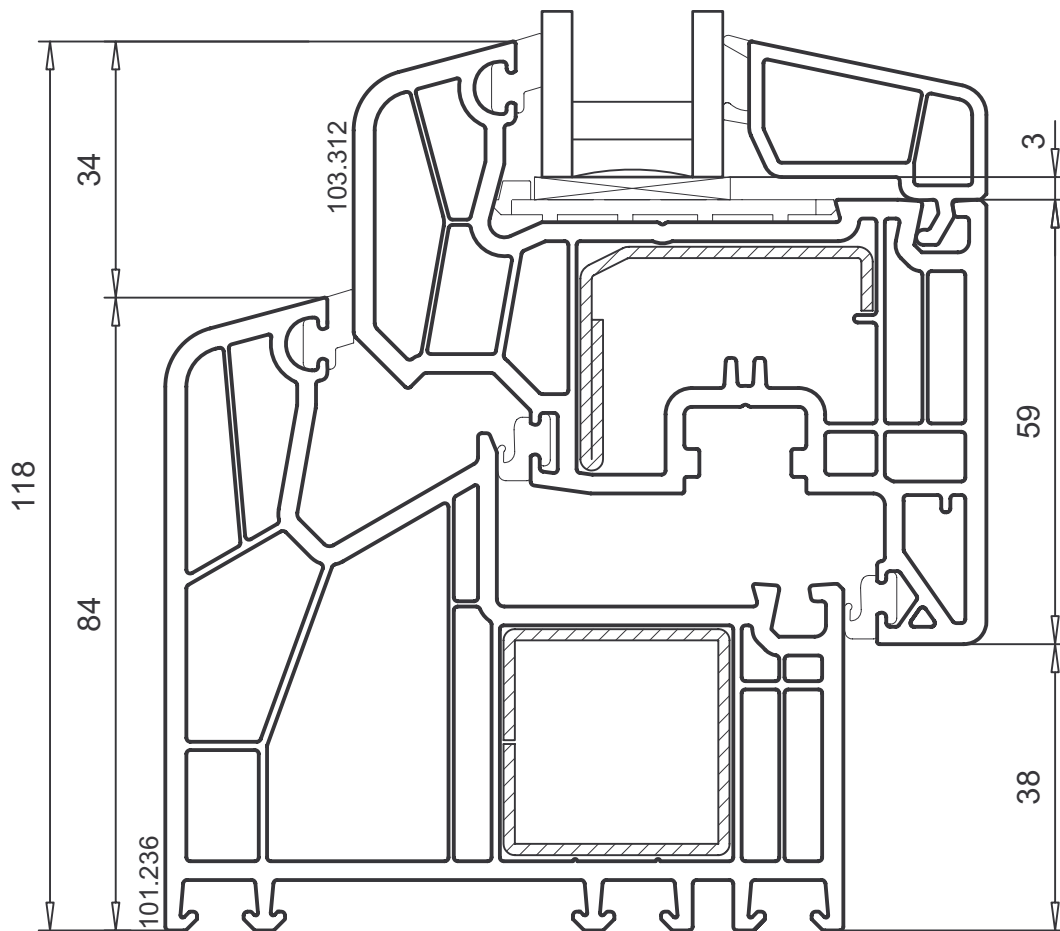
# ALPHALINE 90 MD

Profilkombination, M.1:1



PROFIL-SYSTEME

ALPHALINE 90 MD



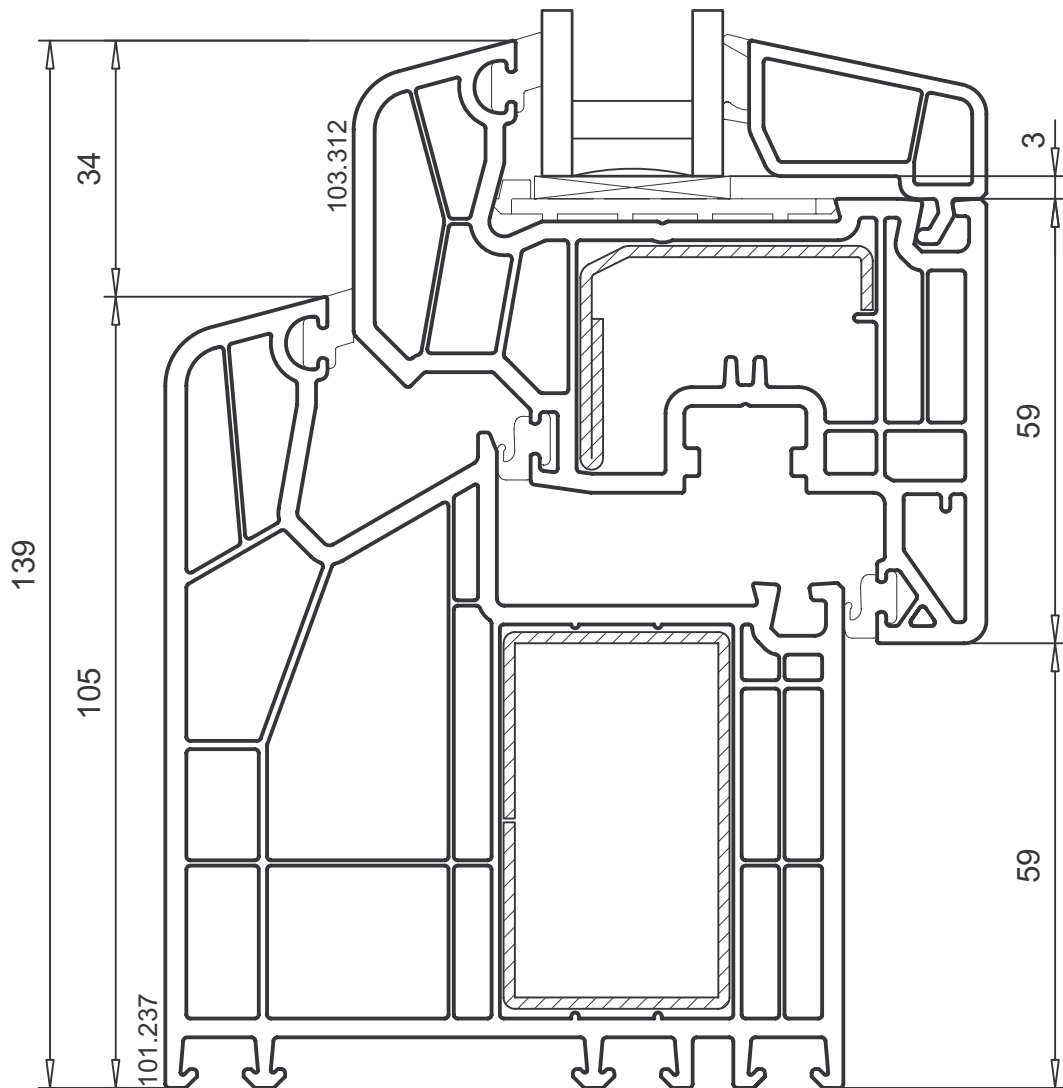
# ALPHALINE 90 MD

Profilkombination, M.1:1



PROFIL-SYSTEME

ALPHALINE 90 MD



vhb-alpha-022

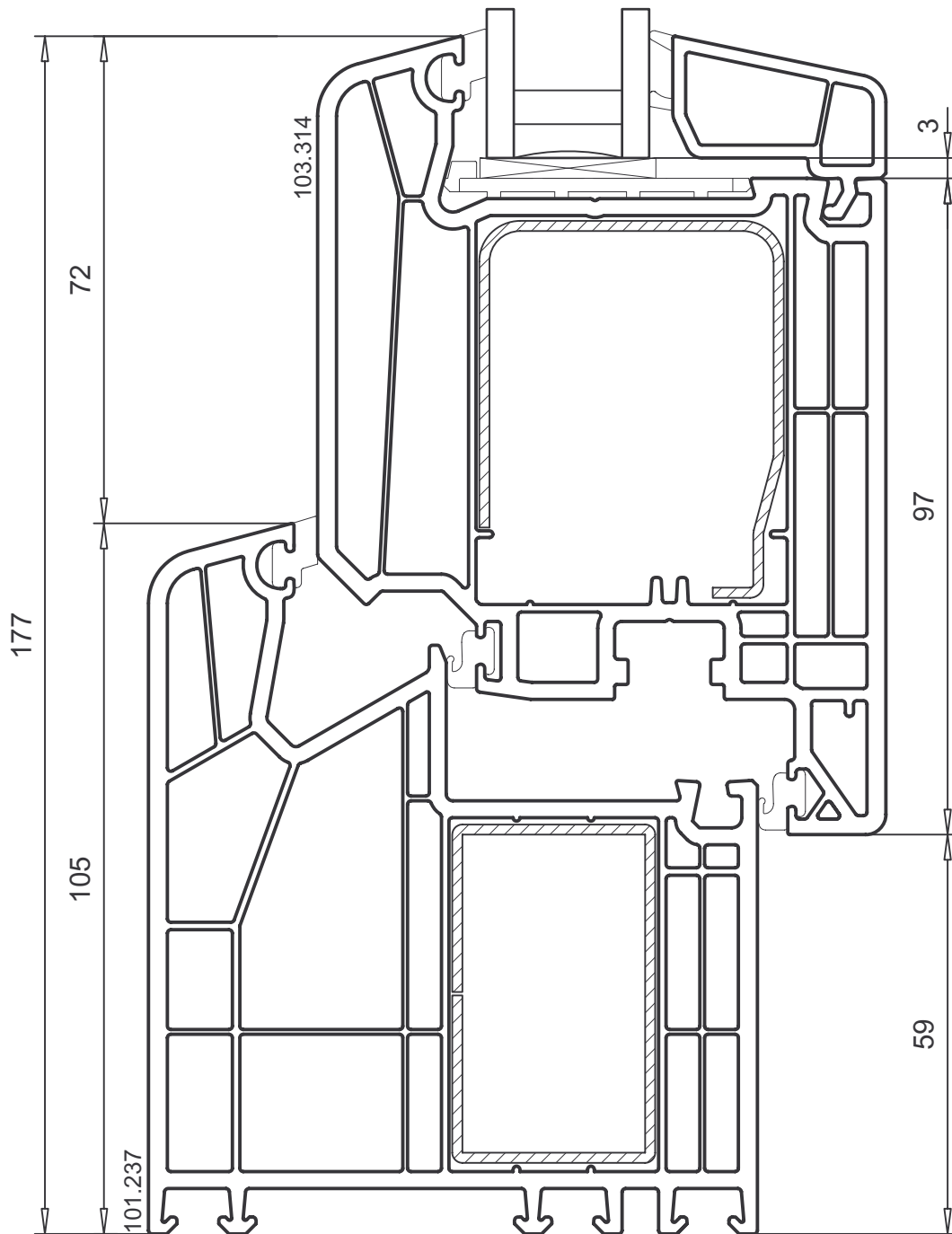
# ALPHALINE 90 MD

Profilkombination, M.1:1



PROFIL-SYSTEME

ALPHALINE 90 MD



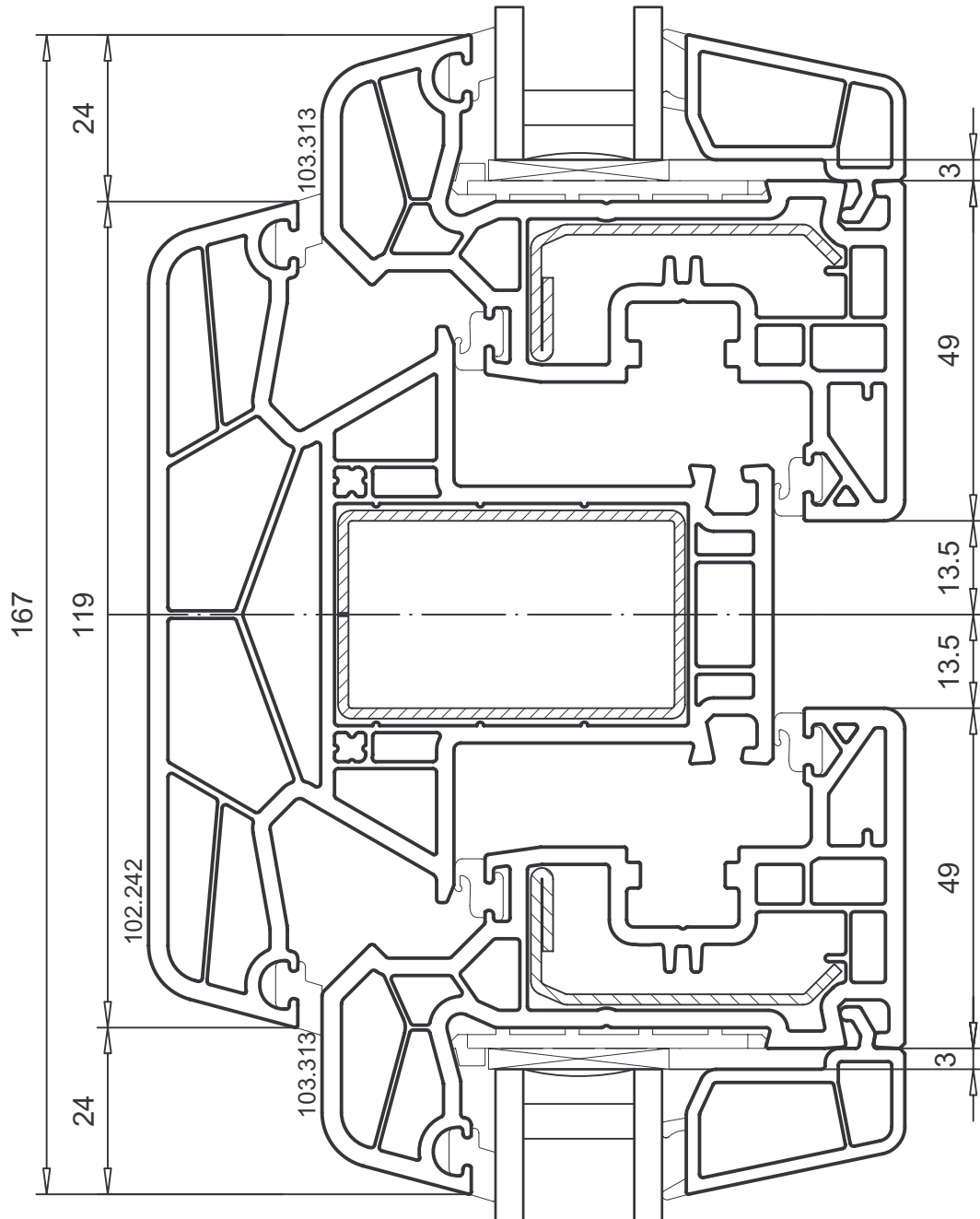
# ALPHALINE 90 MD

Profilkombination, M.1:1



PROFIL-SYSTEME

ALPHALINE 90 MD



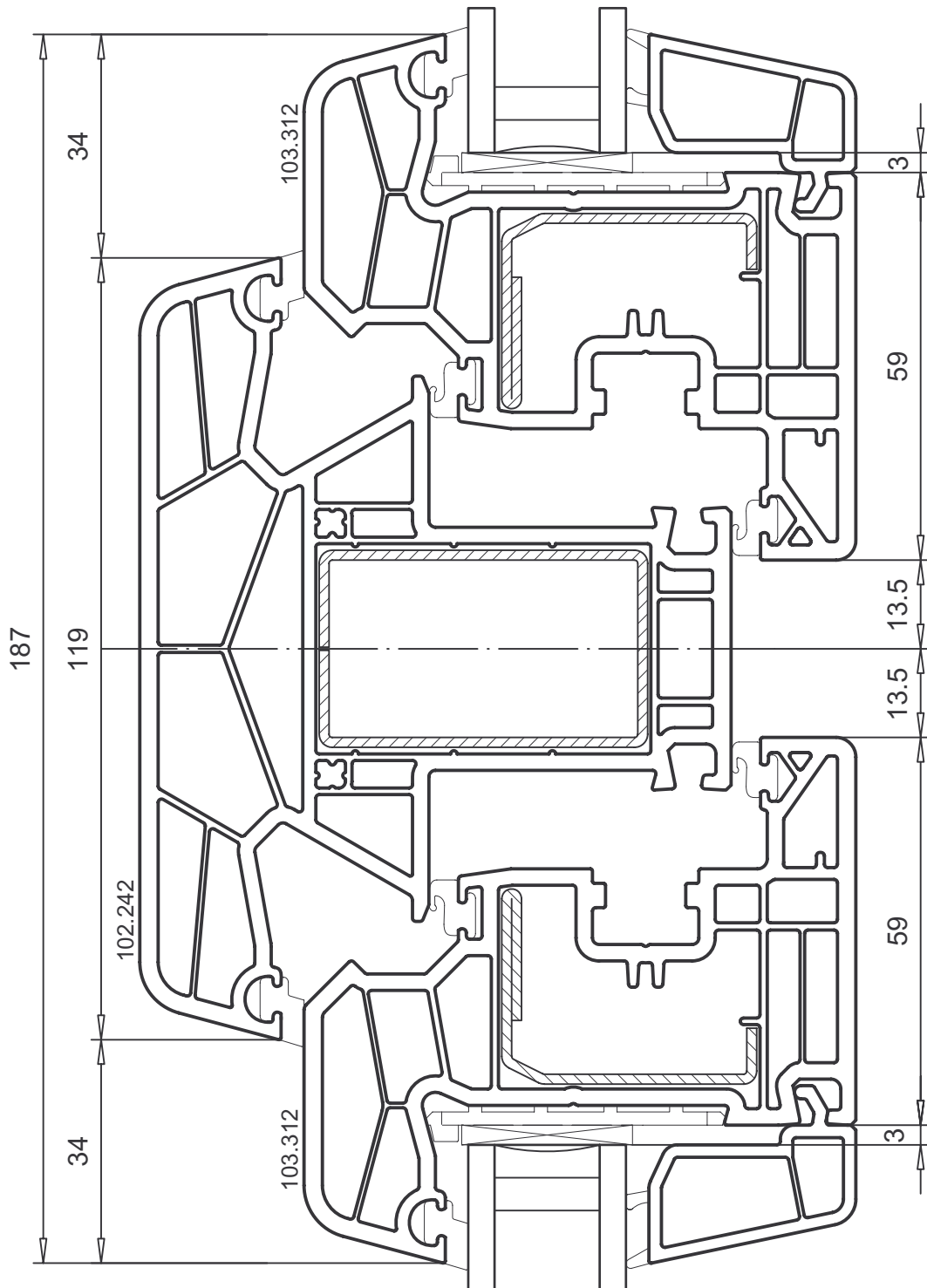
# ALPHALINE 90 MD

Profilkombination, M.1:1



PROFIL-SYSTEME

ALPHALINE 90 MD

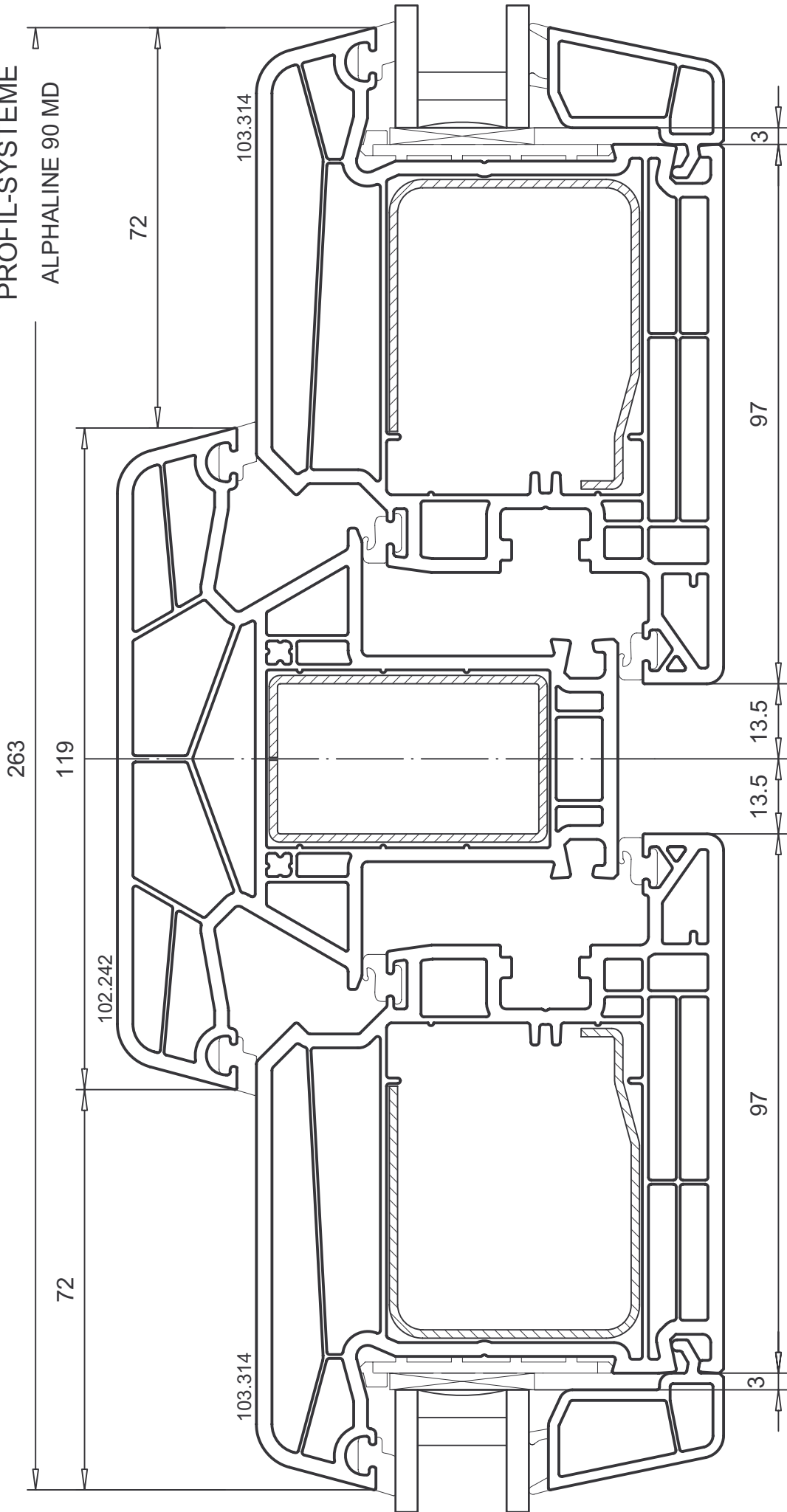


# ALPHALINE 90 MD

Profilkombination, M.1:1



PROFIL-SYSTEME  
ALPHALINE 90 MD



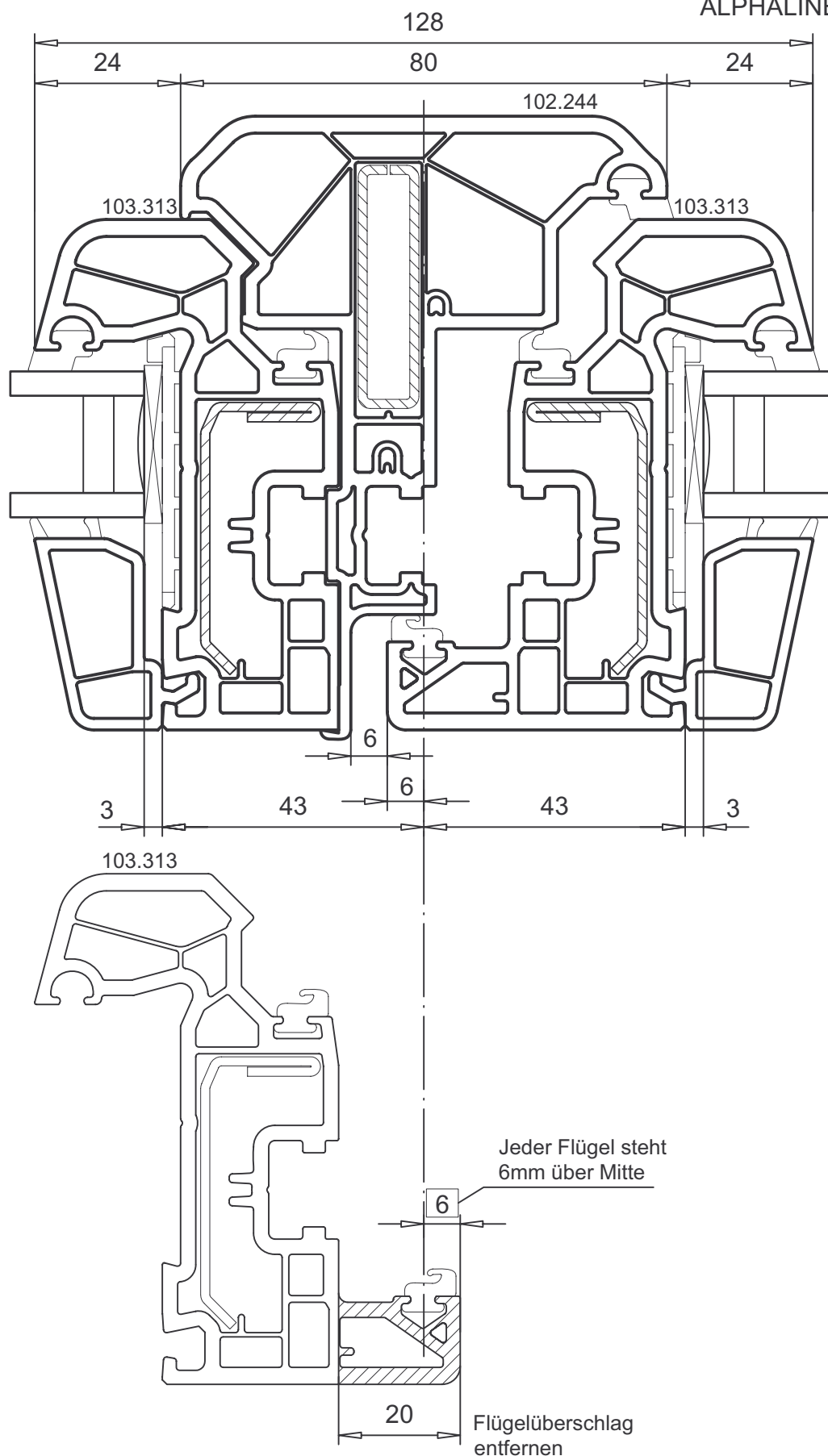
# ALPHALINE 90 MD

Profilkombination, M.1:1



PROFIL-SYSTEME

ALPHALINE 90 MD



vhb-alpha-027

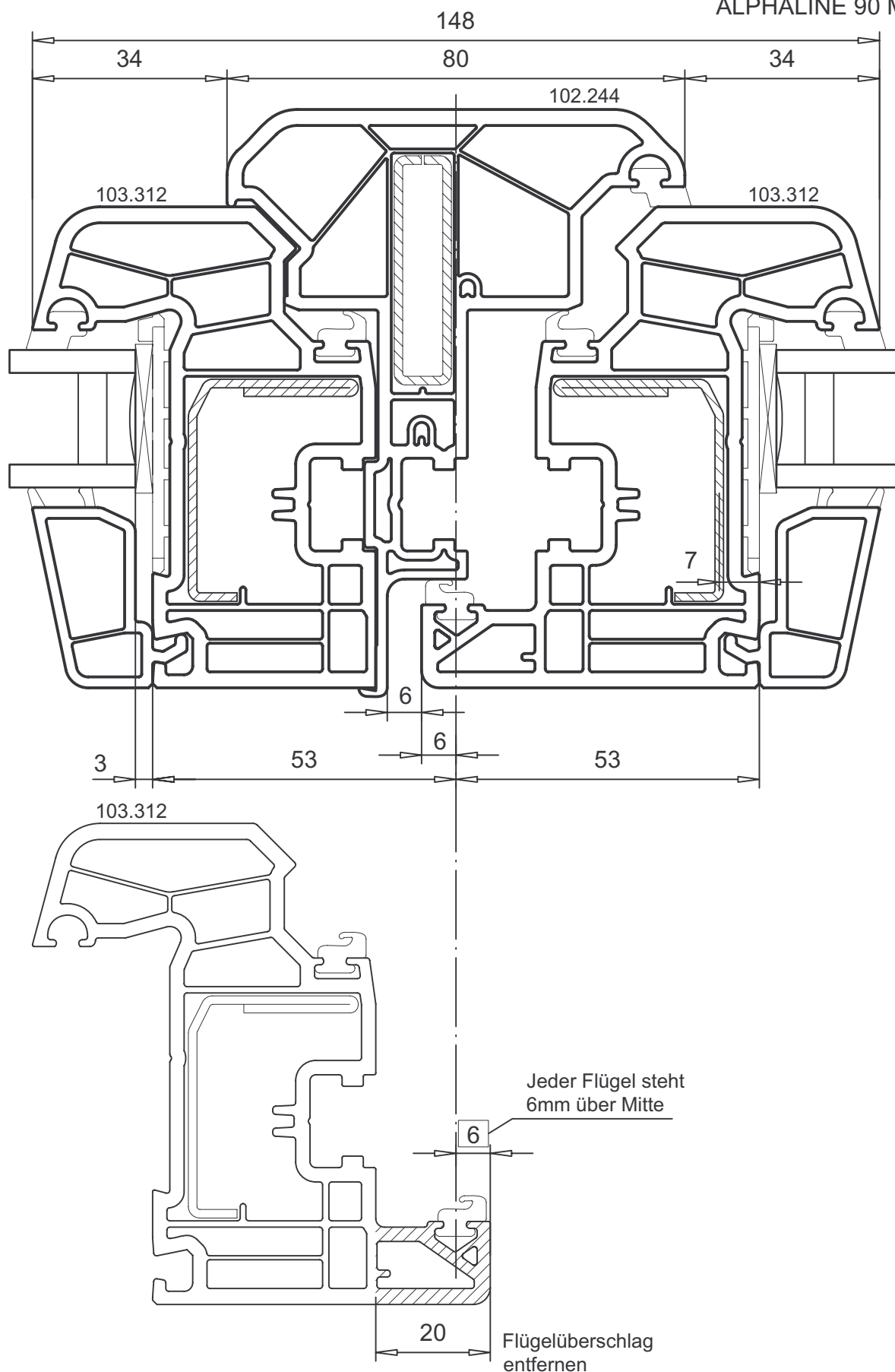
# ALPHALINE 90 MD

Profilkombination, M.1:1



PROFIL-SYSTEME

ALPHALINE 90 MD



vhb-alpha-028

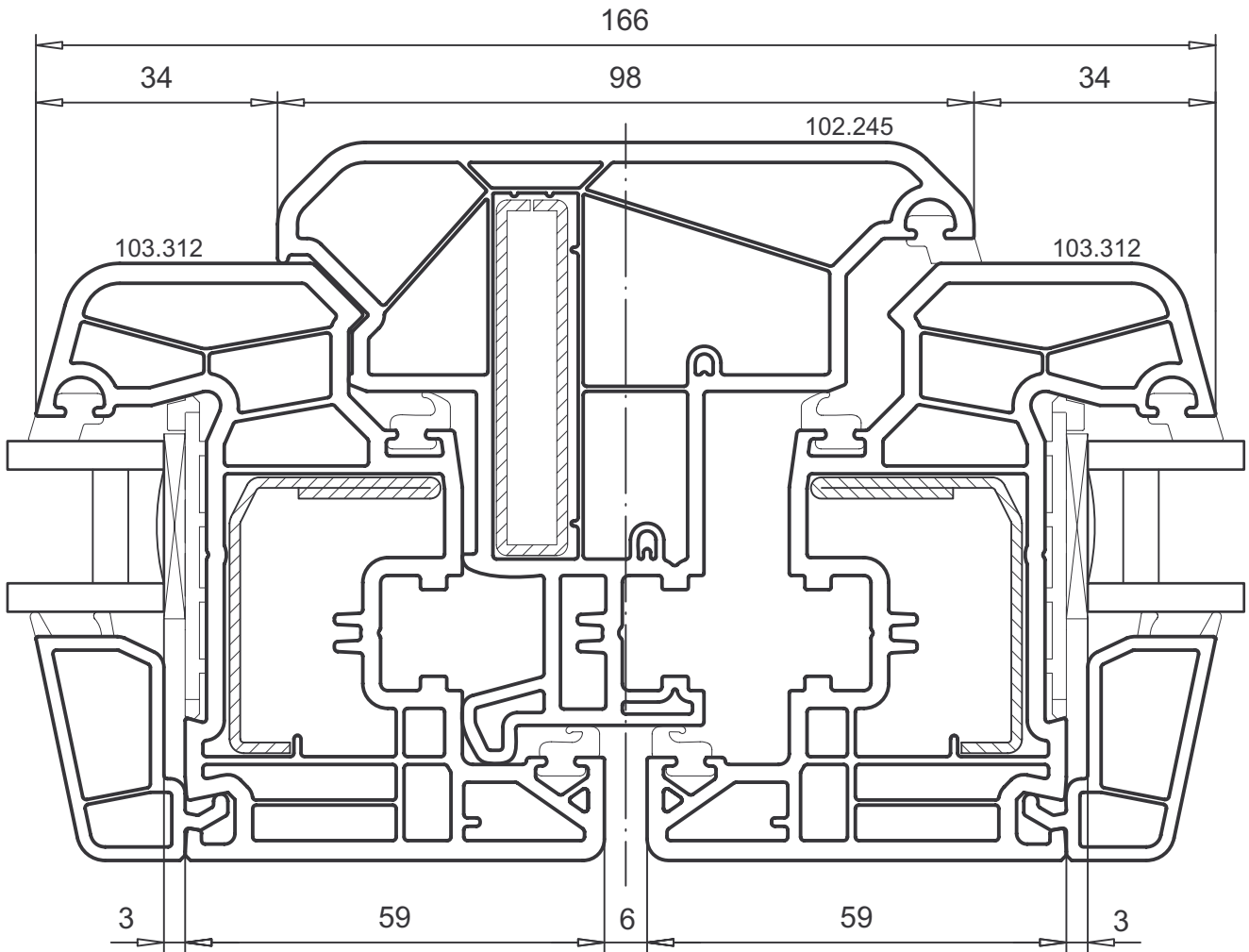
# ALPHALINE 90 MD

Profilkombination, M.1:1



PROFIL-SYSTEME

ALPHALINE 90 MD



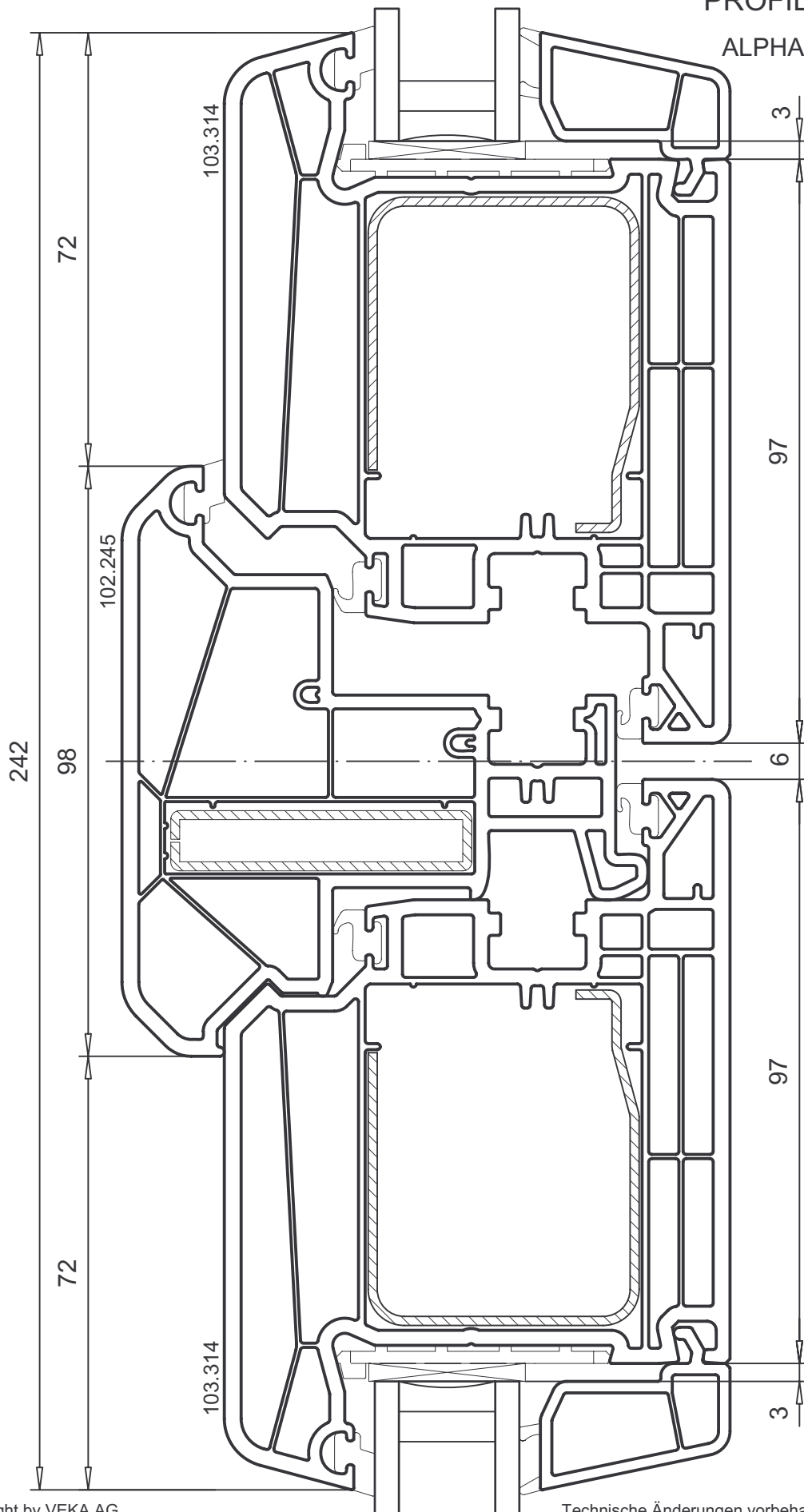
# ALPHALINE 90 MD

Profilkombination, M.1:1



PROFIL-SYSTEME

ALPHALINE 90 MD



vhb-alpha-030

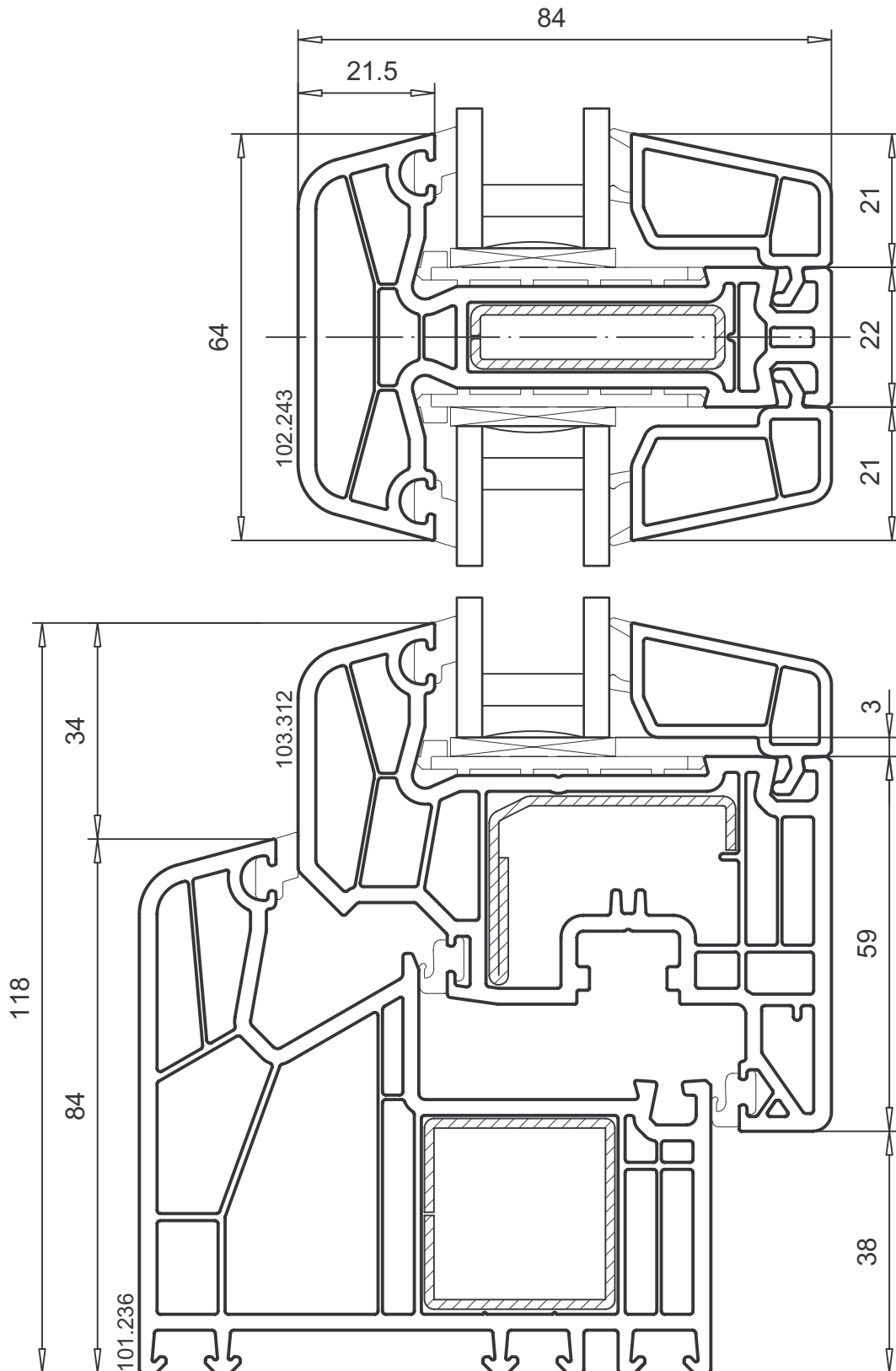
# ALPHALINE 90 MD

Profilkombination, M.1:1



PROFIL-SYSTEME

ALPHALINE 90 MD



vhb-alpha-031